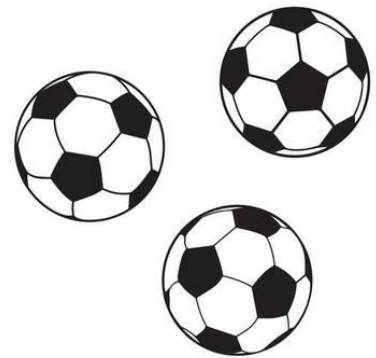
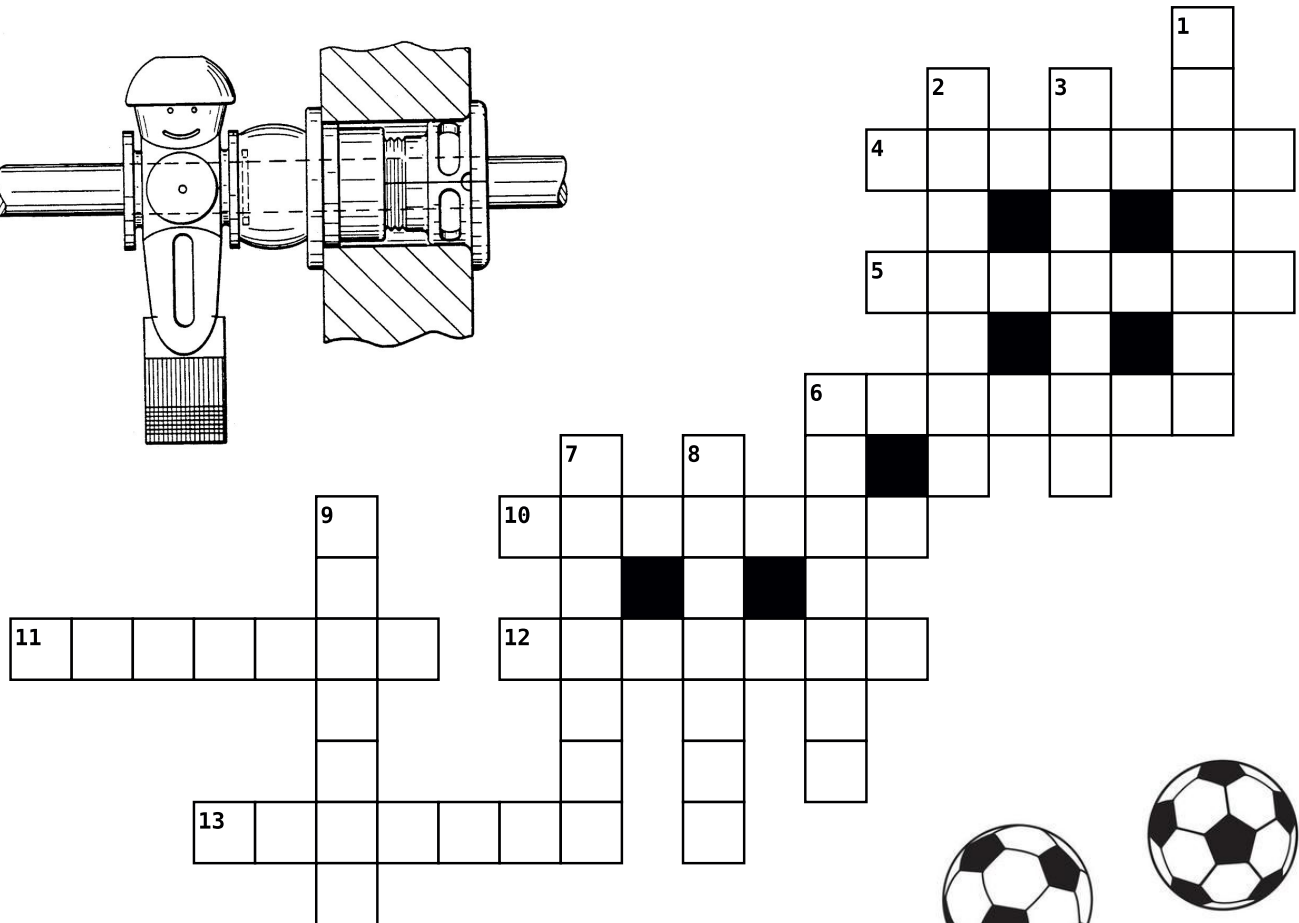
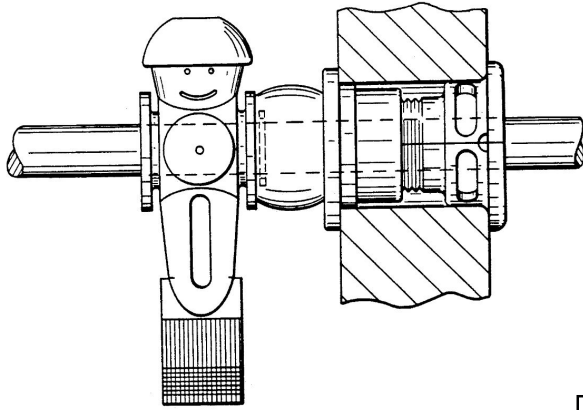


Foosball Players

Don't hate the player hate the game



Across

4. prefers being double dipped from the back
5. on probation for shooting a dead man
6. you can score on them for a dollar
10. has every hole open and lets everything in
11. bankrupt after putting a quarter up to play next
12. you put quarters on them to have next
13. likes to lube it up to stroke it long

Down

1. scored on by all 26 players on the field
2. practices their rollover on the floor
3. takes 5 bar shots for every 5 bar shot
6. good at catching loose balls
7. has a gravitational force that affects the ball
8. says "bacon & mash" when asked to pick a side
9. uses paninis for wraps

